



GE Automotive Lighting

# Arcstream™ D2S

## DESIGNED FOR WORLD CLASS PERFORMANCE

### Product Information

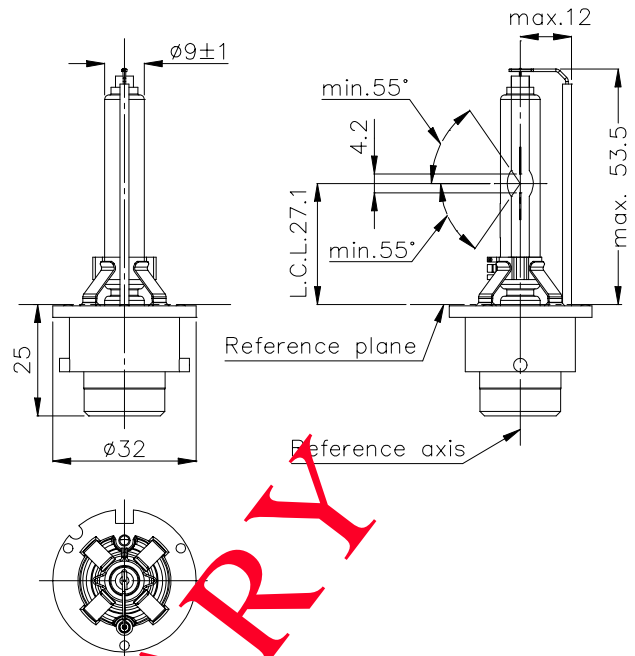
Product Code	XXXXXXXXXX
ANSI Code	XXXXXXXXXX
ECE R99 Type	D2S
Beam Application	Low Beam/ High Beam

### Physical Characteristics

Bulb Material	Quartz
Outer Shroud Material	UV-Stop Quartz
Nominal Bulb Diameter (mm)	9.0
Shroud Black Stripe	No
Base (Cap)	P32d-2
Base Color	Black
Arc Orientation	Axial
Nominal Arc Length (mm)	4.2
Nominal Arc Diameter (mm)	1.1
Nominal Arc Bending (mm)	0.5

### Electrical and Photometrical Characteristics \*

Lamp Power (Watts)	35
Lamp Voltage (Volts)	85
Luminous Flux # (Lumens)	3200
Color coordinates	
x (CIE 1931)	0.380
y (CIE 1931)	0.390
Color Temperature (K)	4100
Lumen Maintenance @ 1500 hrs (%)	75
Life**(Hrs.) @ 13.5 Volts on Ballast	
B3	1200
B50	2560
B63	2800



GE  
xxx D2S (E1) xxx  
XXXXXXXXXX

**Related Regulations/Standards**  
ECE R37, ECE R99, FMVSS No.108,  
IEC 60810, IEC 60061, SAE J2009

\* Lamps are to be operated on electronic ballast approved and specified by lamp manufacturer

\*\* Anticipated values based upon laboratory samples

### GE Worldwide Automotive Lighting

#### North America

GE Automotive Lighting  
P.O. Box 5011  
Southfield, Michigan 48086  
Phone: 248-351-8000  
Fax: 248-351-8069

#### Europe

GE Lighting, Tungram Rt.  
H-1430, Budapest  
Váci ut 77  
Hungary  
Phone: 361-169-2800  
Fax: 361-169-2868

#### Japan

Hitachi GE Lighting Ltd.  
Suda-Cho Sahida Bldg.  
5-2, Kanda Suda-cho 2-chome  
Tokyo 101, Japan  
Phone: 81-03 5296-2914  
Fax: 81-03 5296-2986

#### Worldwide

GE Automotive Lighting  
1975 Noble Road  
Nela Park  
Cleveland, Ohio 44112  
Phone: 216-266-2184  
Fax: 216-266-2081